

# Toulouse Square Fixed Recessed

OUTDOOR



## Product Code

MO53



## Technical Description

### Minimalist design with function...

- Outdoor steplight designed for commercial outdoor use
  - Highly efficient, robust performance
  - Exceptional IP65 and IK06 ratings with CRI90 as standard and a 5-year warranty\*
  - Housing is UV stabilised with double layer powder coating matte finish in black
  - Available in Rectangle and Round variants with recessed and surface mounted options
  - Local stock availability
  - If you require a customised version of this product, please [contact us](#)
- \*Please see Warranty Terms & Conditions for further information.

## Electrical Specifications

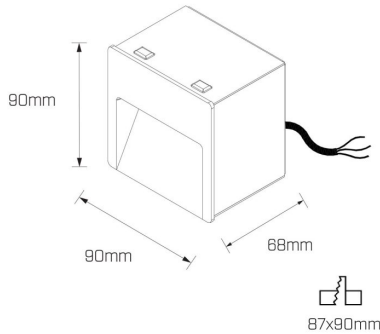
System Power	3.5W
Input Voltage	240V
Control Type	ON/OFF
System Efficacy (max.)	9lm/W
Power Factor	> 0.9

## Physical Characteristics

Installation Method	Fixed Recessed
Trim Finish	Black
IP Rating / IK Rating	IP65/ IK06
Weight	0.72Kgs
Fitting Material	Aluminium

## Photometric Info

Luminaire Lumens	30lm
CRI	CRi90
CCT	3000K
Beam Angle	45°
Lumen Maintenance	> 61, 200hrs (L70 B10)
MacAdam Step	3 Step



## Polar Distribution Diagrams

