

Toulouse Square Surface Mounted

OUTDOOR



Product Code

MO52



Technical Description

Minimalist design with function...

- Outdoor spotlight designed for commercial outdoor use
 - Highly efficient, robust performance
 - Exceptional IP65 and IK06 ratings with CRI90 as standard and a 5-year warranty*
 - Housing is UV stabilised with double layer powder coating matte finish in black
 - Available in Rectangle and Round variants with recessed and surface mounted options
 - Local stock availability
 - If you require a customised version of this product, please [contact us](#)
- *Please see Warranty Terms & Conditions for further information.

Electrical Specifications

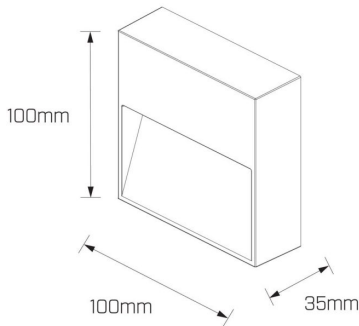
System Power	4.2W
Input Voltage	240V
Control Type	ON/OFF
System Efficacy (max.)	32lm/W
Power Factor	> 0.9

Physical Characteristics

Installation Method	Surface Mounted
Trim Finish	Black
IP Rating / IK Rating	IP65/ IK06
Weight	0.52Kgs
Fitting Material	Aluminium

Photometric Info

Luminaire Lumens	135lm
CRI	CR190
CCT	3000K
Beam Angle	60°
Lumen Maintenance	> 61, 200hrs (L70 B10)
MacAdam Step	3 Step



Polar Distribution Diagrams

Toulouse Square 60°

