

Venice Mini Wall Washer

SPOTLIGHT



Product Code

MS08



Technical Description

Walls covered? Check ✓

- The Wall Washer iteration of our Venice Mini tracklight, a distinguished member of the renowned Venice family
- This versatile spotlight is adept for use in retail, commercial, and architectural environments
- It offers enhanced adaptability with both 3-circuit track and adjustable recessed mounting options, catering to a multitude of lighting needs
- Improved efficacy (up to 137lm/W at CRI90) with our new Mondolux HE+ chip*
- Featuring an impressively broad range of adjustability on the horizontal plane (0° - 350°) and vertical plane (0° - 90°), this fitting ensures precise lighting control
- It is expertly designed to emit a soft, uniform light distribution from ceiling to floor, creating an inviting and well-lit space
- Also available in [Mini](#), [Maxi](#), [Mini Recessed Downlight](#) and [Mini Surface Mounted Downlight](#) sizes and styles
- If you require a customised version of this product, please [contact us](#)

Electrical Specifications

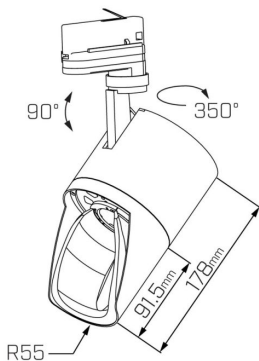
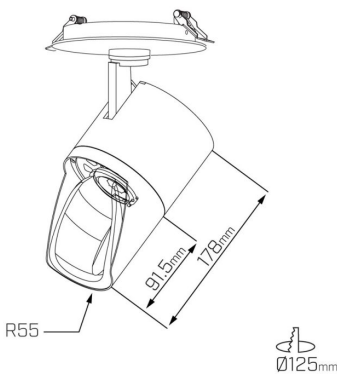
System Power	19W, 27W
Input Voltage	240V
Control Type	ON/OFF, Phase-Cut, DALI, Casambi
System Efficacy (max.)	137lm/W

Photometric Info

Luminaire Lumens	1800lm, 2430lm, 2600lm, 3636lm
CRI	CRI90
CCT	4000K HE+, 3000K, 3000K HE+, 3000K Vivid, 3500K HE+, 4000K
Beam Angle	60°

Physical Characteristics

Installation Method	Adjustable Recessed, 3-Circuit Track Mounted, Surface Mounted
Trim Finish	White, Black
IP Rating / IK Rating	IP20
Weight	1.15Kgs
Maximum Tilt Angle	90°
Maximum Rotation Angle	350°
Fitting Material	Aluminium



Polar Distribution Diagrams

