

# Dion Midi Pro

SPOTLIGHT



Product Code

MS86TM



## Technical Description

### Advanced Optics, Seamless Control

- Part of the **InfitoPRO** range of premium architectural downlights and spotlights
- Dion Midi Pro features a refined, minimalist design suited to a wide range of architectural settings
- The advanced PMMA hybrid lens, housed in a reflective enclosure, merges two optical designs to deliver a smooth, soft cut-off with precise directional control
- Engineered to reduce light spill and energy waste, providing excellent efficiency without compromising lighting quality or performance
- Ultra-low UGR: low glare and visual comfort in offices, architectural spaces, and public areas
- High fidelity with precise colour accuracy: enhanced rendering of rich, saturated colors and natural skin tones, with CRI97+ and 2-Step MacAdam as standard
- Also available in **Mini** size, and **Mini** and **Midi** surface-mounted versions
- If you require a customised version of this product, please [contact us](#)

## Electrical Specifications

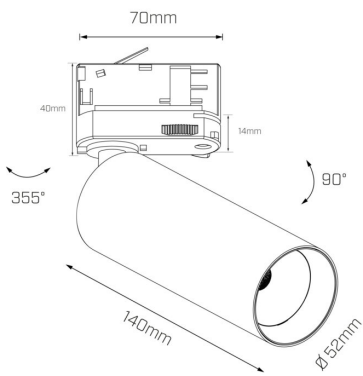
System Power	14W
Input Voltage	240V
Control Type	ON/OFF, DALI, Casambi
System Efficacy (max.)	85lm/W
Power Factor	0.9

## Physical Characteristics

Installation Method	3-Circuit Track Mounted, 3-Circuit In-Track Mounted
Trim Finish	White, Black
IP Rating / IK Rating	IP20
Accessories	Without Accessory, Black Track Adaptor Set
Weight	0.4Kgs
Maximum Tilt Angle	90°
Maximum Rotation Angle	355°
Fitting Material	Aluminium

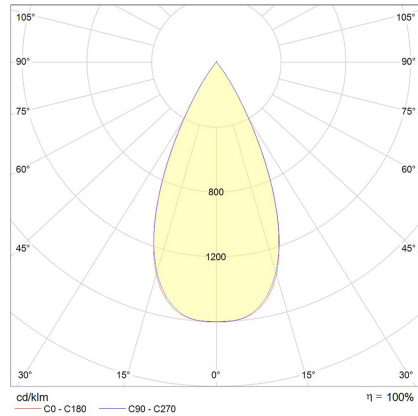
## Photometric Info

Luminaire Lumens	1195lm
CRI	CRI97+
CCT	3000K, 4000K
Beam Angle	22°, 32°, 49°
Lumen Maintenance	>66000 hrs ( L70 B10)
MacAdam Step	2 Step

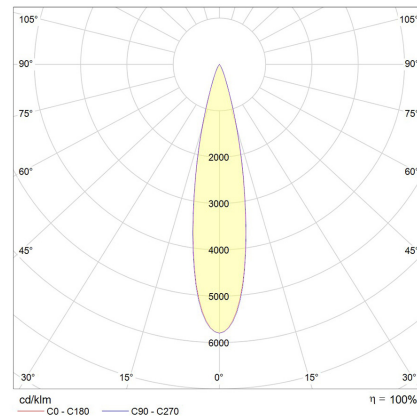


## Polar Distribution Diagrams

Dion Midi Pro 49°



Dion Midi Pro 22°



Dion Midi Pro 32°

