

Product Code

MD70



Technical Description

A pinhole with punch and poise...

- A minimalist pinhole with a compact form factor, suitable for residential, hotel, premium hospitality and architectural applications
- The deep baffle reduces glare while providing elegant illumination with soft cut-off
- Configure with Honeycomb Louvre or Frosted Diffuser accessories to further improve visual comfort, available on special request
- Configure with IP54 Diffuser for increased installation adaptability, available on special request
- If you require a customised version of this product, please [contact us](#)

Electrical Specifications

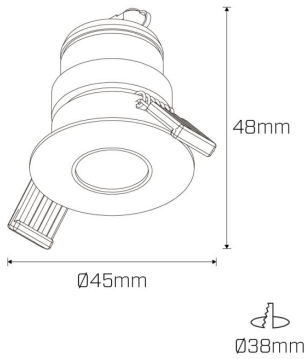
System Power	4.5W
Input Voltage	240V
Control Type	ON/OFF, DALI
System Efficacy (max.)	44lm/W
Power Factor	0.9

Physical Characteristics

Installation Method	Fixed Recessed
Trim Finish	White, Black
IP Rating / IK Rating	IP20
Weight	0.05Kgs
Fitting Material	Aluminium

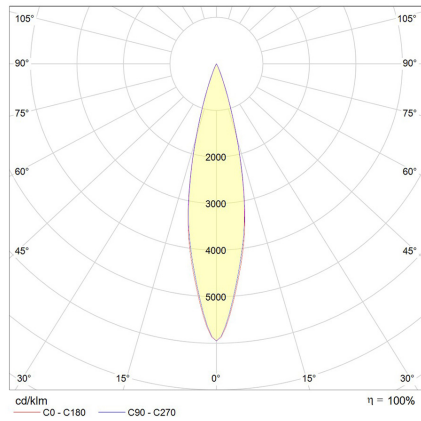
Photometric Info

Luminaire Lumens	200lm
CRI	CR190
CCT	2700K, 3000K, 4000K
Beam Angle	24°, 40°
Lumen Maintenance	> 50, 000hrs
MacAdam Step	3 Step



Polar Distribution Diagrams

Raahe 24°



Raahe 40°

